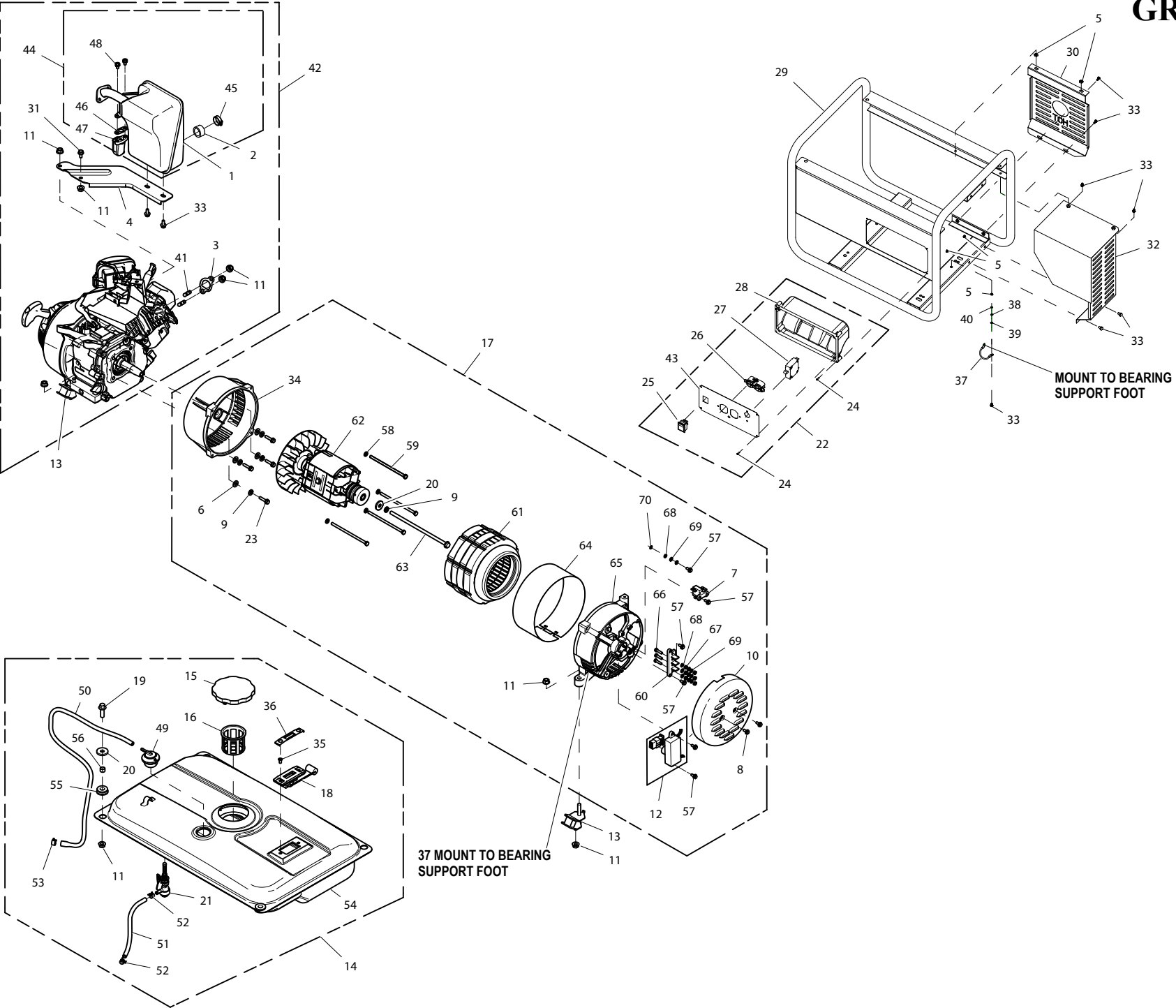


# GROUP EV



ITEM	PART	QTY.	DESCRIPTION
1	0H3376C	1	WLDMNT MUFFLER W/CAT BLACK
2	0H3377	1	SPARK ARRESTOR, 163/208CC
3	0H3378	1	GASKET MUFFLER 163/208CC
4	0H3379A	1	BRACKET MUFFLER MNT EPA PH3
5	0E8388	5	NUT HEX FL WHIZ M6-1.0
6	070008	4	WASHER FLAT M8 SS
7	0J08190101	1	BRUSH ASSEMBLY FOR 0J0819 1.8K
8	0J4967	2	SCREW HHFC M5-0.8 X 12
9	070006	5	WASHER LOCK M8 SS
10	0J8009	1	COVER ALTERNATOR 1.8KW UNITED
11	067989	8	NUT HEX FL WHIZ M8-1.25
12	0J08190103	1	AVR 1800W ALTERNATOR
13	0H3415	4	VIB MOUNT 35 X 15 X M8-1.25
14	0H9264B	1	ASSY FUEL TANK 3.5GAL EPA PH3
15	0H0958	1	ASSY GAS CAP SEALED - CHROME
16	0H1326	1	FILTER, FUEL
17	0J0819	1	ASSEMBLY ALTERNATOR 1800W UP
18	0H3383	1	FUEL GAGE 77MM LONG ARM
19	039253	4	SCREW HHC M8-1.25 X 20 C8.8
20	050190	5	WASHER FLAT .344ID X 1.00D
21	0H3384	1	VALVE FUEL SHUTOFF 4GAL TANK
22	0J0820	1	ASSY RECEPTACLE PANEL 1800W
23	0E9507B	4	SCREW HHFC M8-1.25 X 25 W/M10
24	0G8382	8	SCREW PPPH #8-16 X .66" BZC
25	0H3414	1	DPST SWITCH ASSY
26	0G8507	1	OUTLET 20A 120V DPLX 20A SPCGD
27	0J0823	1	CB 1P 15A
28	0H3386	1	BACK BOX C-PNL 1.8/3.25KW
29	0J0825	1	ASSY FRAME 1-PC 1800W UP
30	0H3389	1	HEAT SHIELD,EXHAUST SIDE UP
31	039414	1	SCREW HHC M8-1.25 X 35 C8.8
32	0H3390	1	HEAT SHLD EXHST FRNT 163/208CC
33	0G1705	9	SCREW HHFC M6-1.0 X 14 G8.8
34	0H7383	1	ADAPTOR CSTNG ENG/ALT 1.8KW
35	0E9509	2	SCREW PFHM M6-1.0 X 12
36	0H1359	1	PLATE, FUEL GAGE
37	0G8753C	1	WIRE ASSY GND ALT TO BASE
38	022097	1	WASHER LOCK M6-1/4
39	0J7517	1	WASHER LOCK EXT M6 CLEAR ZINC
40	049811	1	WASHER FLAT M6
41	045761A	2	STUD M8-1.25/10MM X 30 G5 ZINC
42	0J7991A	1	ENGINE 163 PS W/MFLR EPA PH3
43	0J7954	1	FACEPLATE 1800W GP UP
44	0J6617B	1	ASSY MUFFLER BLACK EPA PH3
45	057824	1	CLAMP HOSE #16 .87-1.50
46	0J5205	1	GASKET AIR VALVE 2010 CARB
47	0J5204	1	AIR VALVE 2010 LONCIN
48	078606	2	SCREW PPHM M6-1.0 X 12 SEMS
49	0J7921	1	ASSEMBLY ROV
50	0J8900	1	FORMED HOSE 8.5 OD TO 11.5 OD
51	0J6626	1	FUEL HOSE,4.5 ID,8.5 OD,160 LG
52	048031B	2	CLAMP HOSE BAND SPRING .38
53	048031F	1	CLAMP HOSE BAND .47
54	0H9263A	1	FUEL TANK WLDMNT EPA PHASE 3
55	0H1411A	4	RUBBER MOUNT,10.3 ID X 8.5 HGT
56	0H1610	4	ANTI-CRUSH 10.8OD 9ID 7.8LG
57	0J4968	7	SCREW HHFC M5-0.8 X 16
58	022097	4	WASHER LOCK M6-1/4
59	0J8028	4	SCREW HHC M6-1.0 X 135 C8.8
60	0J6979	1	REAR WIRING FRAME ORANGE
61	0J8008	1	STATOR ASSY 2 POLE 1.5KW
62	0J8007	1	ROTOR ASSY 2 POLE 1.5KW
63	0J8027	1	SCREW HHFC 5/16-24 X 7.09
64	0J8011	1	WRAPPER 520X75
65	0J8010	1	REAR BEARING CARRIER 160
66	052619	3	SCREW HHC M5-0.8 X 20 G8.8
67	051716	6	NUT HEX M5-0.8 G8 CLEAR ZINC
68	080857	7	WASHER FLAT M5 SS
69	080856	4	WASHER LOCK M5 SS
70	0J6678	1	WASHER LOCK INT M5 SS